

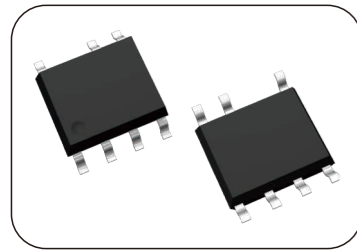
## COMPANY PROFILE

MORNSUN GUANGZHOU SCIENCE & TECHNOLOGY CO., LTD. is a national high-tech enterprise that has been ranked in the list of top 500 in manufacturing industry in Guangdong Province for two consecutive years. It is committed to providing complete power supply solutions for industrial, medical, energy, electricity, railway and other industries. Mornsun product line includes AC/DC converter, DC/DC converter, EMC auxiliary, isolation transmitter, IGBT driver, adapter and ICs, etc.. Mornsun is constantly improving its product based on the market demands and industry trends.

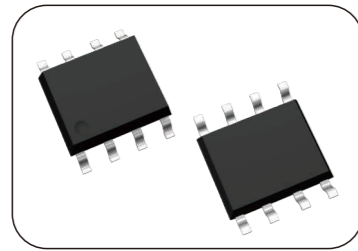
Mornsun IC product line includes AC/DC power supply control ICs, DC/DC power supply control ICs, interface ICs and start-up ICs. Meanwhile, Mornsun offers evaluation kits, design references, application manuals, and prompt technical supports to lower customers' cost, shorten design time and improve product reliability.

Our products are not only widely used in civilian applications such as adapters, chargers, and set-top box power supplies, etc., but also widely used in industrial applications such as power equipment, communication equipment, and industrial automation equipment.

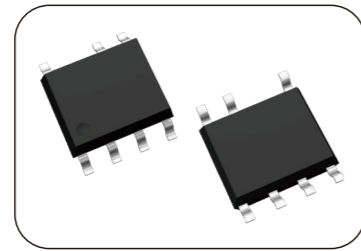
Learn more, please visit: [www.mornsun-power.com](http://www.mornsun-power.com)



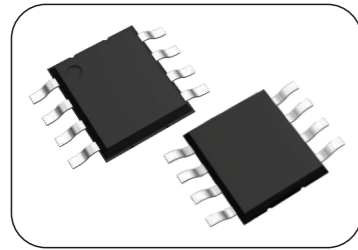
AC/DC PSR Control ICs  
with Built-in MOS



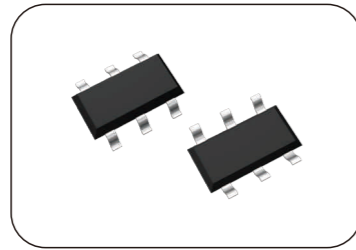
AC/DC SSR Control ICs



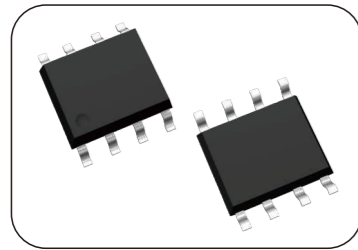
AC/DC SSR Control ICs  
with Built-in MOS



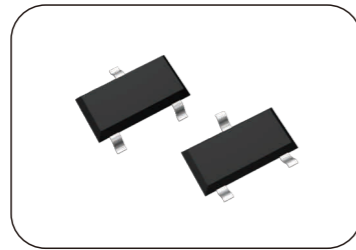
DC/DC SSR Control ICs



DC/DC Push-pull Control ICs



RS-485 Transceiver



Start-up ICs



mornsun website

# MORNSUN<sup>®</sup>



## SELECTION GUIDE

### MORNSUN Power

No.5, Kehui St.1, Kehui Development Center, Science Ave.,  
Guangzhou Science City, Huangpu District, Guangzhou

Tel: 020-38601850-8881 (Europe)/020-38601850-8003

Fax: 020-38601272

Email: [sales@mornsun.cn](mailto:sales@mornsun.cn)

[www.mornsun-power.com](http://www.mornsun-power.com)

## IC SELECTION GUIDE

### AC/DC Power Supply Control ICs

AC/DC PSR Control ICs with Built-in MOS

AC/DC SSR Control ICs

AC/DC SSR Control ICs with Built-in MOS

### DC/DC Power Supply Control ICs

DC/DC SSR Control ICs

DC/DC Push-pull Control ICs

### Interface ICs

RS-485 Transceiver

### Start-up ICs

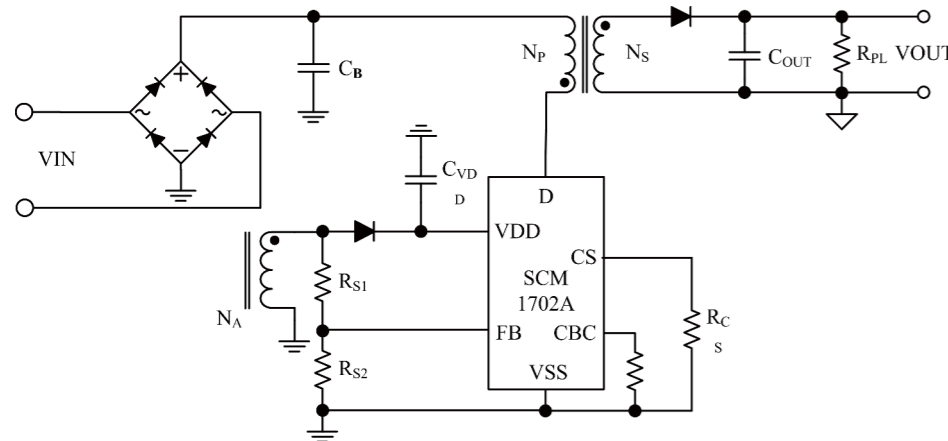
Low-voltage Start-up ICs

High-voltage Start-up ICs

## AC/DC Power Supply Control ICs

Power range is from 0.1W to 60W. Simplify circuit design and reduce material cost.

Typical applications: USB compatible adapters of consumer electronics (mobile phones, tablet computers, set-top boxes, etc.) and charger, auxiliary power supply, industrial power supply.



Product Number	Topology	Power (W)	Control Mode	Vds(max) (V)	HV	Fsw (KHz)	OTP	OVP	OCP	Package
SCM1702A	Flyback	≤5	Current mode PSR	650	✓	110	Built-in	Built-in	Built-in	SOP-7
SCM1703A	Flyback	≤5	Current mode SSR	650	✓	110	Built-in	Built-in	Built-in	SOP-7
SCM1710A	Flyback	5-60	Current mode SSR	-	-	110	External	Built-in	Built-in	SOP-8

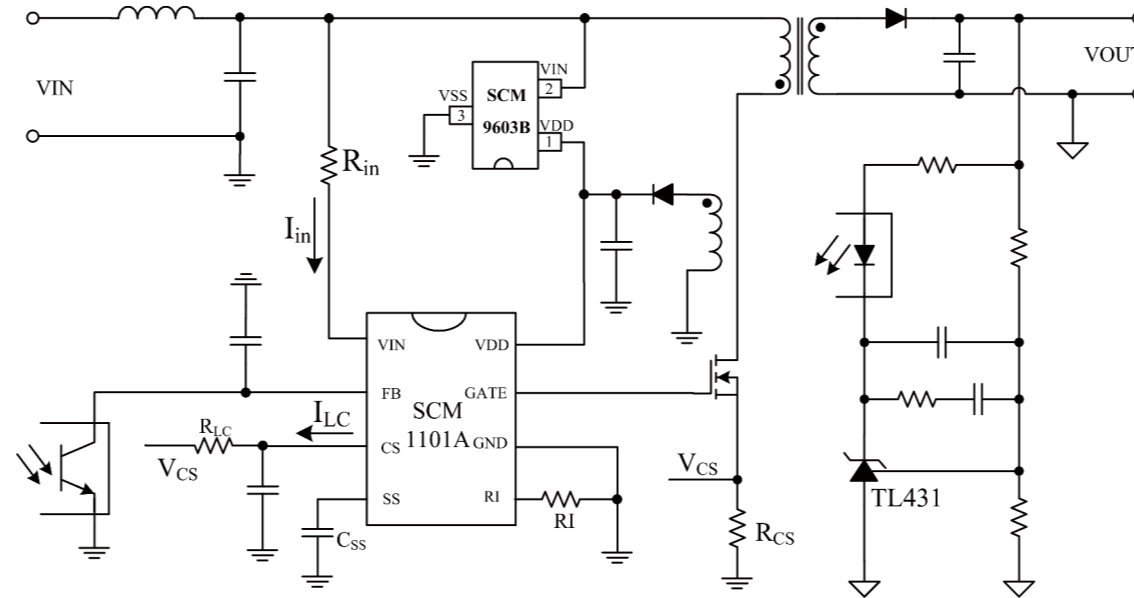
## DC/DC Power Supply Control ICs

Power range is from 0.1W to 40W, input voltage range is from 3.3V to 100V.

It's widely used in industrial equipment, process control system, data acquisition system and other fields. At the same time, it reduces the cost of the power supply system.

### DC/DC Secondary Side Feedback Control ICs

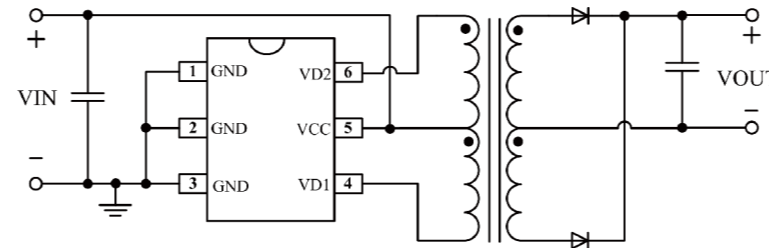
Typical applications: Instrument power supply, communication isolated converter.



Product Number	Topology	Power (W)	Control Mode	Fsw (KHz)	VDD (V)	UVLP	OCP	OLP	Package
SCM1101A	Flyback, forward	5-40	Current mode	480	7.5-14	Built-in	Built-in	Built-in	MSOP-8

### DC/DC Push-pull Control ICs

Typical applications: Isolated power supply, industrial process control system, isolated communication power, medical equipment, telecommunication equipment.



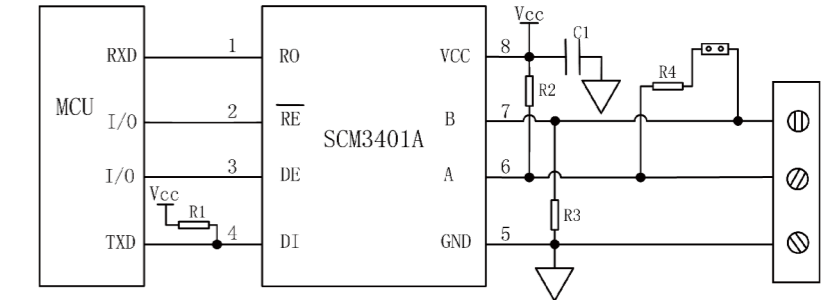
Product Number	Topology	Power (W)	VIN (min) (V)	VIN (max) (V)	OTP	SCP	Package
SCM1201A	Push-Pull	≤1	4.5	6	Built-in	Built-in	SOT-23-6

## Interface ICs

Meet customer's requirements of high reliability, compact size and low cost.

### RS-485 Transceiver

Typical applications: Industrial automation, building automation, smart meter, long-distance signal exchange.



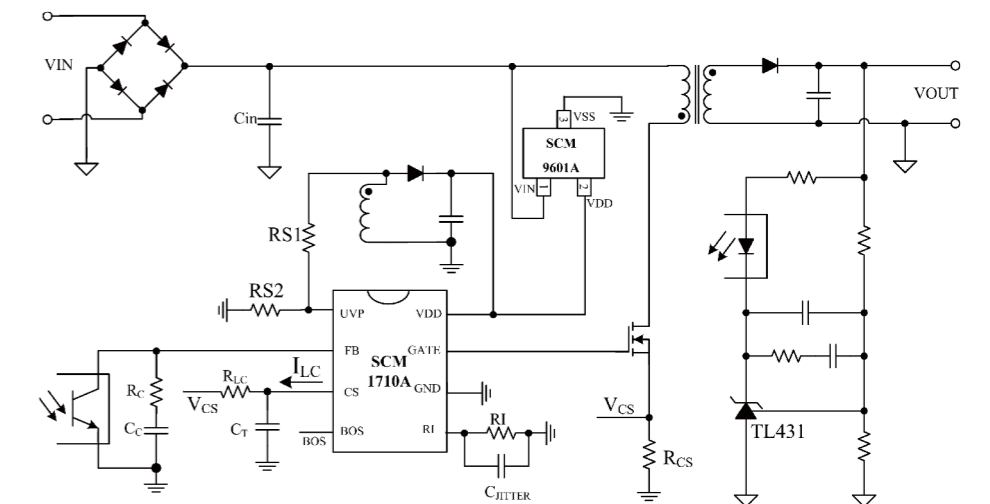
Product Number	VCC (V)	Duplex Mode	No. of TX	No. of TR	Signaling Rate (Max) (Mbps)	No. of Nodes	Package
SCM3401A	4.5-5.5	Half	1	1	1	256	SOP-8

## Start-up ICs

Typical applications: Photovoltaic, wind power, high voltage H-bridge and other fields.

Low-voltage start-up ICs SCM9603 is used in DC/DC power supply.

High voltage start-up ICs SCM9601 and SCM9602 are used in AC/DC power supply. To meet the requirement of photovoltaic industry, high voltage start-up ICs can be connected in series so that its input voltage range extends to 40-5000VDC.



Product Number	VIN (V)	VDD (max) (V)	IvDD (min) (mA)	IvDD (max) (mA)	Tj (°C)	Package
SCM9601A	40-700	20	0.8	4	-40-125	SOT-23
SCM9602A	40-700	20	1	4	-40-125	SOT-23
SCM9603B	4-85	10	2.3	20	-40-125	SOT-23